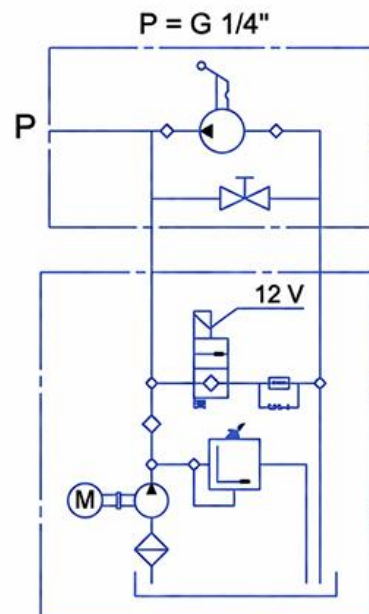
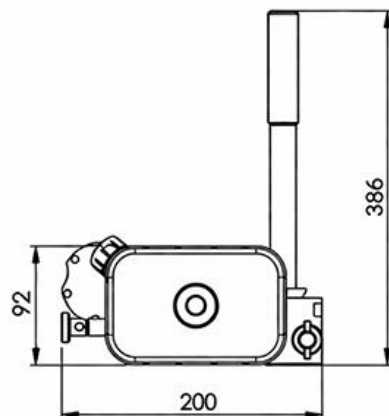
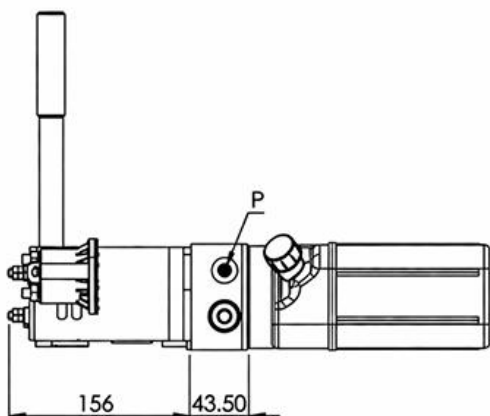
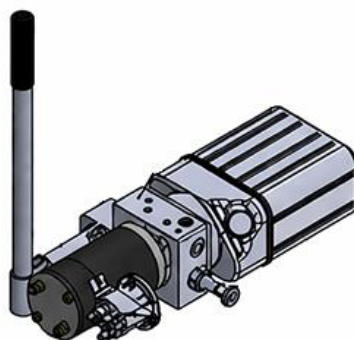
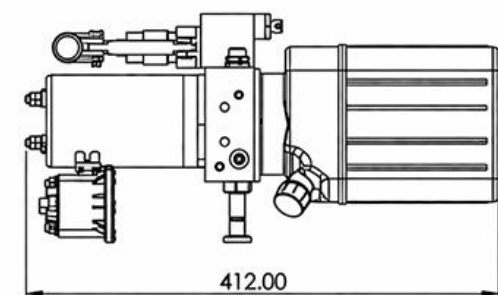


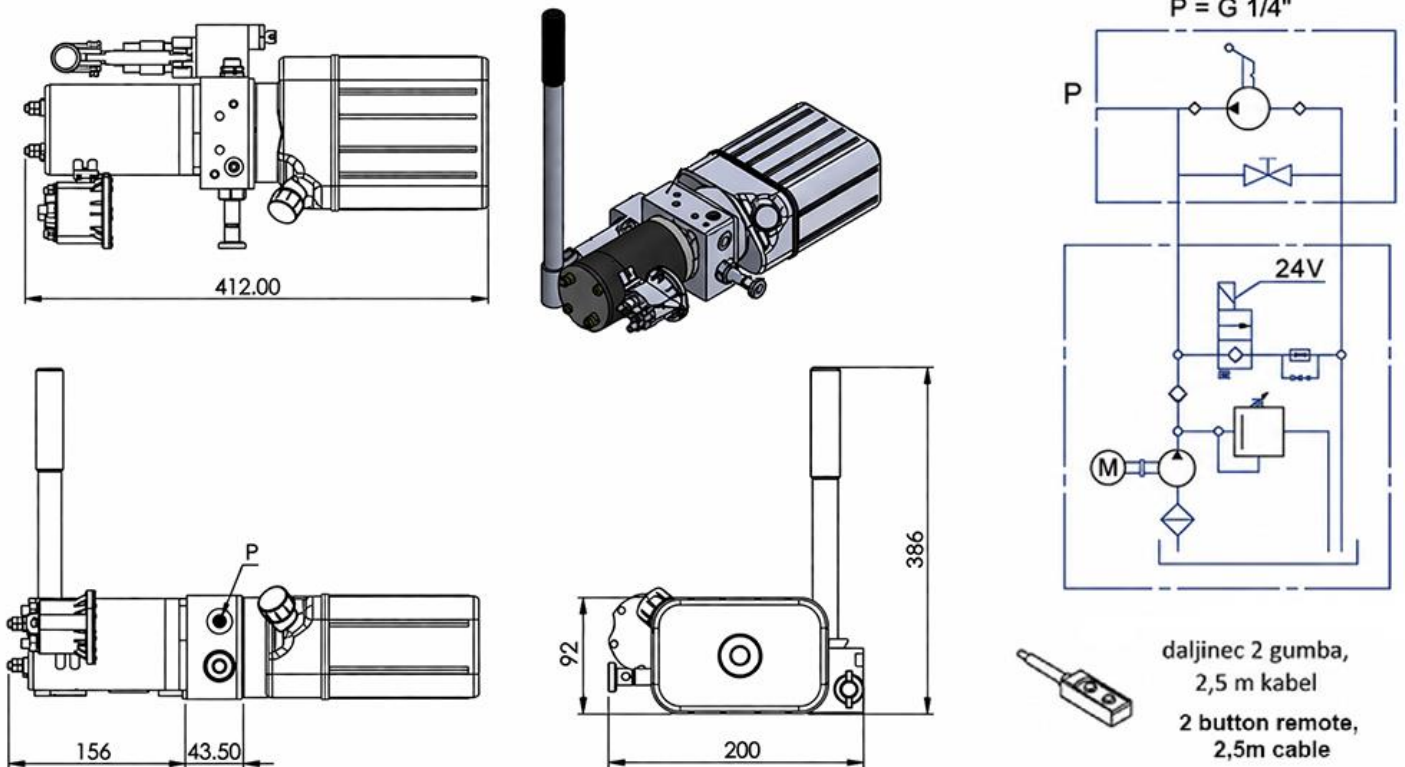
## DATA SHEET – DIMENSIONS

### 13872: MINI HYDRAULIC POWER-PACK UNIT 12V DC - 0.8KW = 0.5CC - 1.5 LITERS - SINGLE-ACTING ASSEMBLY (PVC) WITH HAND PUMP



daljinec 2 gumba,  
2,5 m kabel  
2 button remote,  
2,5m cable

## 13873: MINI HYDRAULIC POWER-PACK UNIT 24V DC - 0.8KW = 0.5CC - 1.5 LITERS - SINGLE-ACTING UNIT (PVC) WITH HAND PUMP



CODE	VOLTAGE (V)	MOTOR POWER (kW)	MAX. PRESSURE (bar)	PUMP FLOW (cc)	OIL TANK CAPACITY (l)	FLOW OF POWER PACK (lit/min)	SPEED (vrt/min)	INLET THREAD (")
13872	12	0,8	220	0,5	1,5	1,75	2500	1/4"
13873	24	2,2	210			5,8		

CIRCUIT DIAGRAM:

